

PIR 3CCT Adjustable 5" Slim Flush Mount



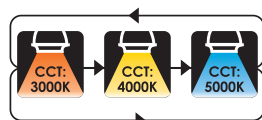
Specifications:

Item Number: VO-RP5W8-120-3WAY-PIR

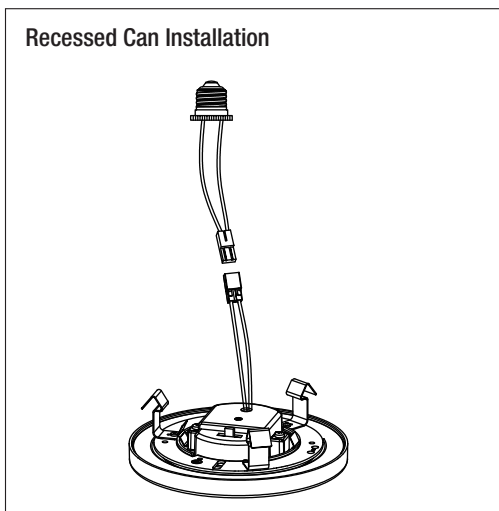
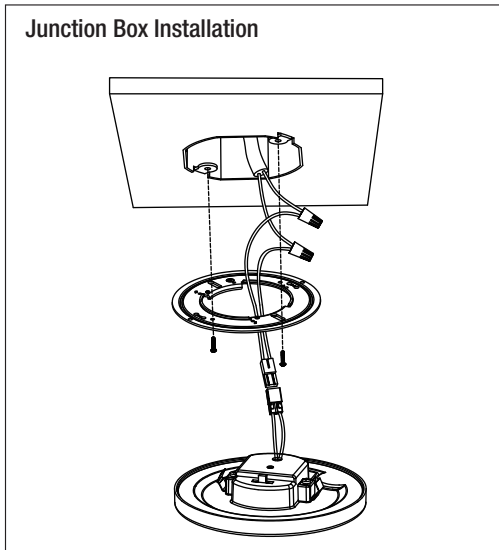
Lumen Flux (lm)	Power (W)	Color Temp. (K)	Voltage (V)
600	8	3000~4000~5000	120
Dimmable	Life Hours (hrs)	Efficiency (lm/w)	Wattage Equiv.
NO	50000	75	50
Shape	Dimensions (inch)	Base	Finish
PIR 3CCT Adjustable 5" Slim Flush Mount	4.99"*0.67"	/	WHITE
CRI	Power Factor	Beam Angle (°)	Location
80	>0.9	110	Damp
Certificate	Material	LEDs	Driver
ETL/ES	Aluminum+plastic	SMD2835/68PCS	IC

Features:

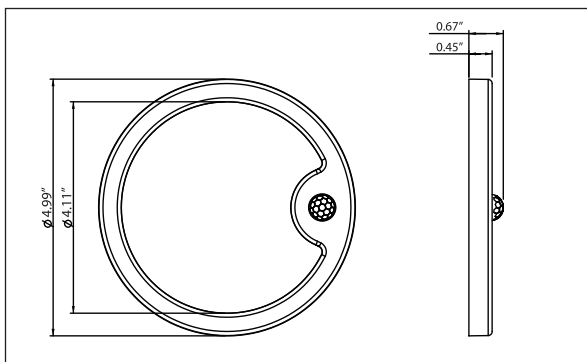
- Ultra-modern slim edge-lit design makes any room architecturally pleasing
- Selectable Color Temperatures
- Built-in driver, 11.5mm thickness
- Good Quality LGP & diffuser Plate
- Stable design for the whole structure
- 5 Years warranty



Installation way



Dimensions:



Light Distribution

